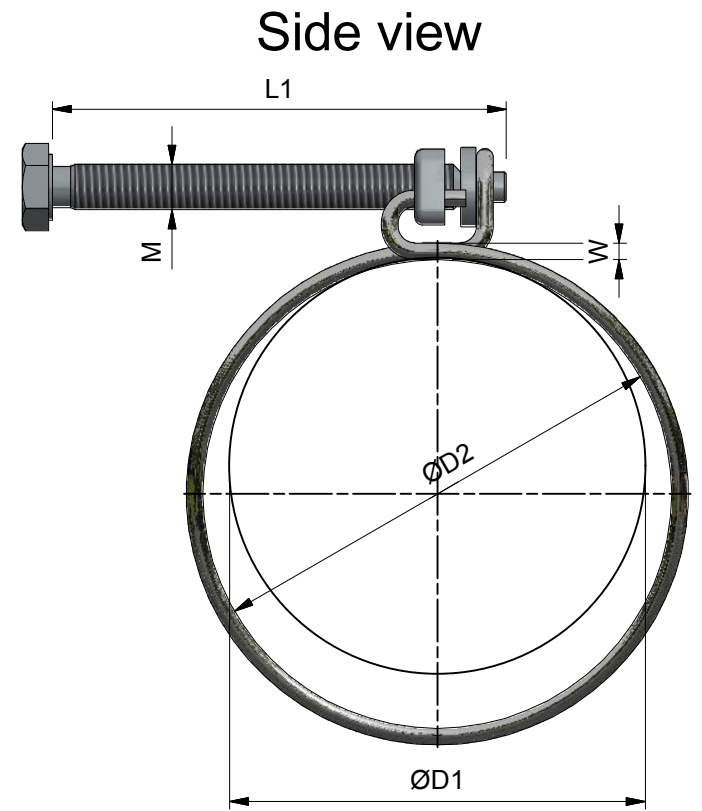


MPC Industries BV Wire clamps sizes:

Min Diameter:	Max Diameter:	wire Thickness:	Thickness:		Screw		Tightening Torque:	Breaking Torque:
d1	d2	W1	W4*	L1	M	SW	AD*	PD**
11	14	1,5	2	30	5	8	3Nm	4Nm
13	16	1,5	2	30	5	8	3Nm	4Nm
15	18	1,5	2	30	5	8	3Nm	4Nm
17	20	1,5	2	30	5	8	3Nm	4Nm
19	22	1,8	2	30	5	8	3Nm	4Nm
20	24	1,8	2	30	5	8	3Nm	4Nm
22	26	1,8	2	30	5	8	3Nm	4Nm
24	28	1,8	2	30	5	8	3Nm	4Nm
26	30	1,8	2	40	6	10	3Nm	4Nm
28	32	1,8	2	40	6	10	3Nm	4Nm
31	35	2,2	2	40	6	10	3Nm	4Nm
34	38	2,2	2	40	6	10	3Nm	4Nm
35	40	2,2	2	40	6	10	3Nm	4Nm
37	42	2,2	2	40	6	10	3Nm	4Nm
40	45	2,2	2	40	6	10	3Nm	4Nm
43	48	2,2	2	50	6	10	3Nm	4Nm
45	50	2,2	2,3	50	6	10	3Nm	4Nm
47	52	2,2	2,3	50	6	10	3Nm	4Nm
50	55	2,2	2,3	50	6	10	3Nm	4Nm
53	58	2,2	2,3	50	6	10	3Nm	4Nm
55	60	2,2	2,3	60	6	10	3Nm	4Nm
54	62	2,2	2,3	60	6	10	3Nm	4Nm
60	65	2,2	2,3	60	6	10	3Nm	4Nm
63	68	2,2	2,3	60	6	10	3Nm	4Nm
65	70	2,2	2,3	70	6	10	3Nm	4Nm
70	75	2,5	2,3	70	6	10	3Nm	4Nm
75	80	2,5	2,3	70	6	10	3Nm	4Nm
80	85	2,5	2,3	70	6	10	3Nm	4Nm
84	90	2,5	2,3	70	8	13	3Nm	4Nm
89	95	2,5	2,3	70	8	13	3Nm	4Nm
94	100	2,5	2,3	80	8	13	3Nm	4Nm
98	105	2,5	2,3	80	8	13	3Nm	4Nm
103	110	2,5	2,3	80	8	13	3Nm	4Nm
108	115	2,5	2,3	80	8	13	3Nm	4Nm
113	120	2,5	2,3	80	8	13	3Nm	4Nm
118	125	2,5	2,3	80	8	13	3Nm	4Nm
123	130	2,5	2,3	80	8	13	3Nm	4Nm
128	135	2,5	2,6	80	8	13	3Nm	4Nm
133	140	2,5	2,6	80	8	13	3Nm	4Nm
138	145	2,5	2,6	80	8	13	3Nm	4Nm
143	150	2,5	2,6	80	8	13	3Nm	4Nm
148	155	2,5	2,6	80	8	13	3Nm	4Nm
153	160	2,5	2,6	80	8	13	3Nm	4Nm
158	165	2,5	2,6	80	8	13	3Nm	4Nm
163	170	2,5	2,6	80	8	13	3Nm	4Nm
168	175	2,5	2,6	80	8	13	3Nm	4Nm
173	180	2,5	2,6	80	8	13	3Nm	4Nm
178	185	2,5	2,6	80	8	13	3Nm	4Nm
185	195	2,5	2,6	80	8	13	3Nm	4Nm
195	205	2,5	2,6	80	8	13	3Nm	4Nm
205	215	2,5	2,6	80	8	13	3Nm	4Nm
215	225	2,5	2,6	80	8	13	3Nm	4Nm
225	235	2,5	2,6	80	8	13	3Nm	4Nm
235	245	2,5	2,6	80	8	13	3Nm	4Nm
245	255	2,5	2,6	80	8	13	3Nm	4Nm
255	265	2,5	2,6	80	8	13	3Nm	4Nm
265	275	2,5	2,6	80	8	13	3Nm	4Nm
275	285	2,5	2,6	80	8	13	3Nm	4Nm
285	295	2,5	2,6	80	8	13	3Nm	4Nm
295	305	2,5	2,6	80	8	13	3Nm	4Nm
305	315	2,5	2,6	80	8	13	3Nm	4Nm
315	325	2,5	2,6	80	8	13	3Nm	4Nm
325	335	2,5	2,6	80	8	13	3Nm	4Nm
335	345	2,5	2,6	80	8	13	3Nm	4Nm
345	355	2,5	2,6	80	8	13	3Nm	4Nm



Front view


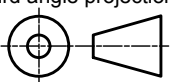


Iso view



* All DWC Wire Clamps in W4 are assembled with M6 screws with slotted hexagon head.

Revision history			
Rev.	Date	Description	AUTHOR
-	02-11-2005	Creation DWC Datasheet W1	Martin
1	16-01-2007	Creation DWC Datasheet in W4	Martin
2	14-7-2011	New combined DWC Datasheet	Martin
3	28-1-2014	Drawing renewed	Gyula

	Material: W1 / W4	Dimensions: -
	Doc no.: DWC.dwg	
Third angle projection:		
Part number:	DWC	
Drawn by: Martin	Creation date: 13-7-2011	Description: MPC Industries DWC, Wire clamps, steel Zinc plated or stainless steel Aisi 304
Checked by:	Checked date:	
Scale: 1:1	Units: mm	Revision: 3
Status: Released		Format: A3
MPC Industries B. V. Badweg 38 8401 BL Gorredijk Postbus 225 8400 AE Gorredijk. Tel.: . 0513 465477 Fax.: 0513 465736		

NOTICE TO PERSONS RECEIVING THIS DRAWING AND/OR TECHNICAL INFORMATION:
MPC Industries BV claims proprietary rights to the material disclosed hereon. This drawing and/or technical information is issued in confidence for engineering information only and may not be reproduced or used to manufacture anything shown or referred to hereon without direct written permission from MPC Industries BV to the user. This drawing and/or technical information is the property of MPC Industries BV and is loaned for mutual assistance to be returned when its purpose has been served.
THIS DRAWING AND/OR TECHNICAL INFORMATION IS THE PROPERTY OF MPC INDUSTRIES BV